

# LH-909FK Curtain PIR Detector



iOS APP



Android APP

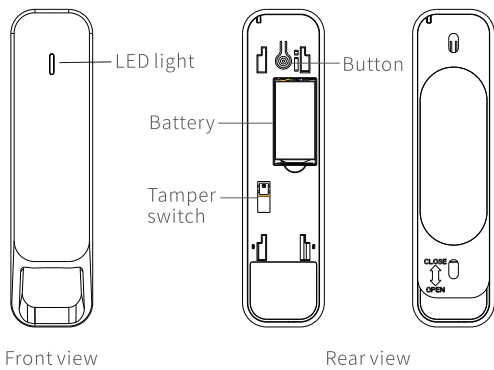
This product is a small curtain PIR detector with beautiful and smooth appearance. Suitable for safety precautions on balconies, windows, corridors, etc. The circuit has anti-RF interference, automatic temperature compensation and other functions. It can respond quickly to human body intrusion and generate an alarm.

## Packing List

After opening the product package, please confirm if the equipment is in good condition and checking with the following list to confirm if the accessories are complete.

- Detector(×1)
- Expansion Pipe(×2)
- Screw(×2)
- Instruction manual(×1)
- Bracket(×1)
- 3M Tape(×1)

## Product Diagram



## Technical Parameters

Working Voltage	DC3V(CR123A)
Working Current	50mA
Quiescent Current	≤35uA
Working Temperature	-10°C~+55°C
Working Humidity	≤95%RH, no condensation
Installation Method	wall-mounted 2.4m/ceiling 3.6m
Detection Distance	12M (wall-mounted)/8M (ceiling)
Detection Angle	15°
Pet-Proof Installation	Please check "Small Pet Proof Installation Diagram"
Wireless Protocol	868MHz / 433MHz
Wireless Distance	800m/400m
Battery Life	5 years
Dimension	132×34×43mm

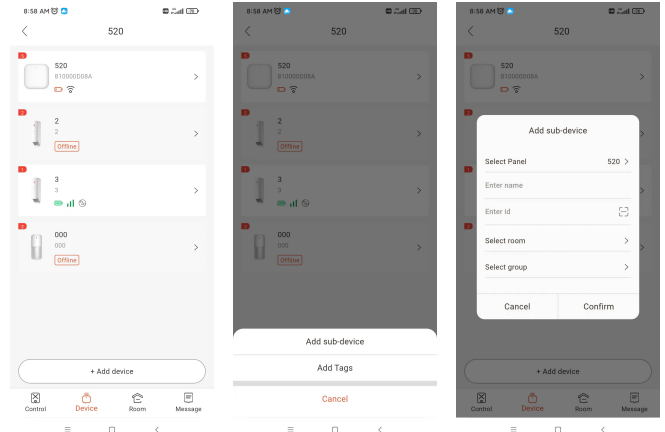
## Product Usage

### 1. Install Secusystem App

Use your mobile phone to scan the QR code to download the "Secusystem" App, or search for "Secusystem" in Google Play or Appstore app stores to download and install."

### 2. Add device

- (1) Open the APP, please follow the alarm host user guide to add the host to the App.
- (2) After the host is successfully bound, select APP "+" > "Add sub-device" > "Scan device QR code" and follow the prompts for subsequent operations, as shown in the picture."



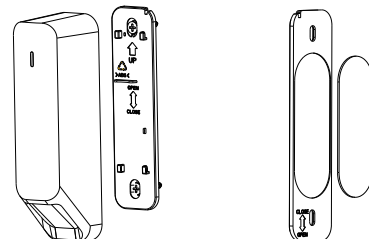
- (3) Longpress the device indicator light for 3 seconds and then release. The green light will flash and the device enters network distribution mode.
- (4) Wait for the alarm host to be added successfully. After success, the host will make a "ding-dong" sound. If it fails, please try the above steps again.

### 3. Function description

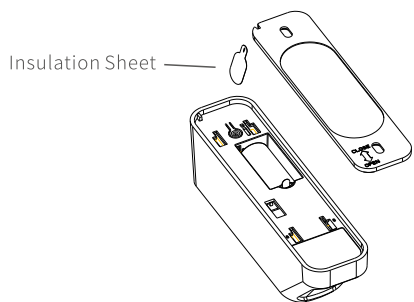
- (1) This product needs to be used with an alarm host. When using this product for the first time or replacing the alarm host, it must be connected to the alarm host.
- (2) Please follow the steps to add sub-devices to add this product to the alarm host.
- (3) This product has a low-voltage reminder function. When the battery voltage of the product is low, the sensor will send a low-voltage reminder to the alarm host.
- (4) This product has a sensitivity adjustment function, which can be configured through the APP.
- (5) The heartbeat configuration function of this product can be configured through APP 36~128S.
- (6) This product has an anti-disassembly function. When the device is dismantled, the red light will flash once and a disassembly alarm message will be sent to the host.

## Installation Instruction

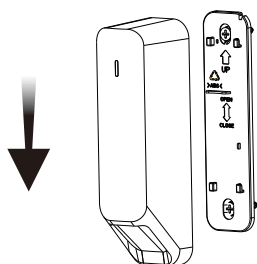
1. This product needs to be installed with a bracket. Select the wall installation location and fix the bracket base with screws or 3M glue.



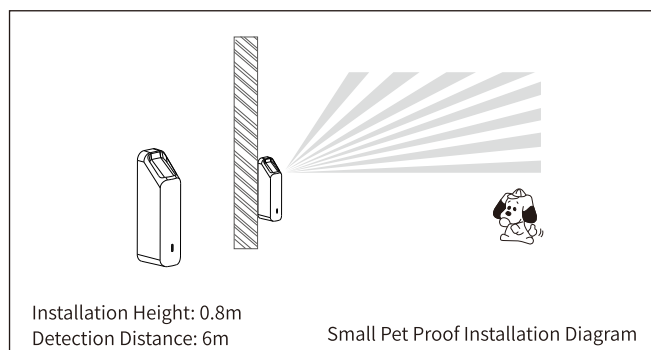
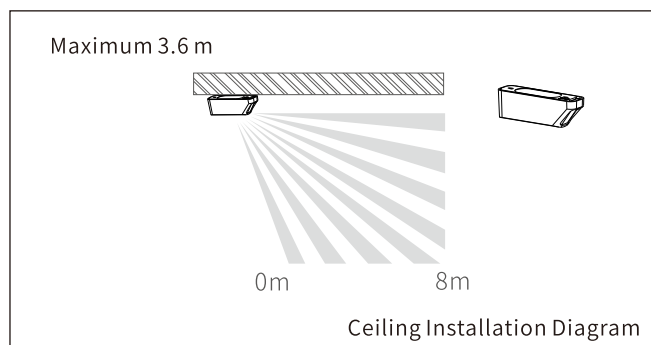
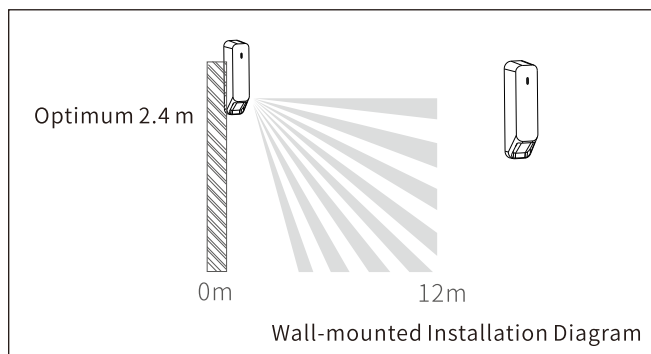
2. Take out the battery insulation sheet, the green indicator light will flash quickly, and the detector will automatically perform network distribution operations with the gateway within 30 seconds.



3. Insert the detector into the sliding cover of the bracket and install according to the arrow instructions. The installation is complete.

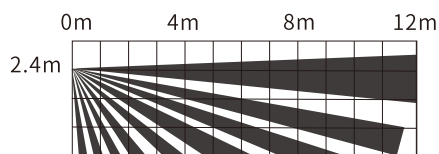


## Installation and Use

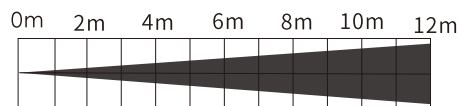


## Detection Range

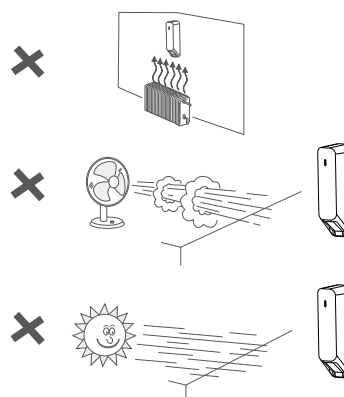
Side View



Top View



## Precautions



1. This product is for indoor use only. Please install and use it correctly according to the user guide. Do not touch the surface of the lens to avoid affecting the sensitivity of the product. If you need to clean the lens, please disconnect the power supply and wipe it with a soft cloth dipped in a little alcohol.
2. Please avoid using it in an environment with large temperature changes. The installation location should avoid being close to air conditioners, electric fans, refrigerators, ovens and objects that can cause temperature changes, and avoid direct sunlight on the product.
3. This product can prevent accidents, but it cannot ensure that it is foolproof. For the sake of safety, in addition to using this product correctly, please be more vigilant and strengthen safety prevention awareness in daily life.