

HC-105FK FSK Outdoor Siren

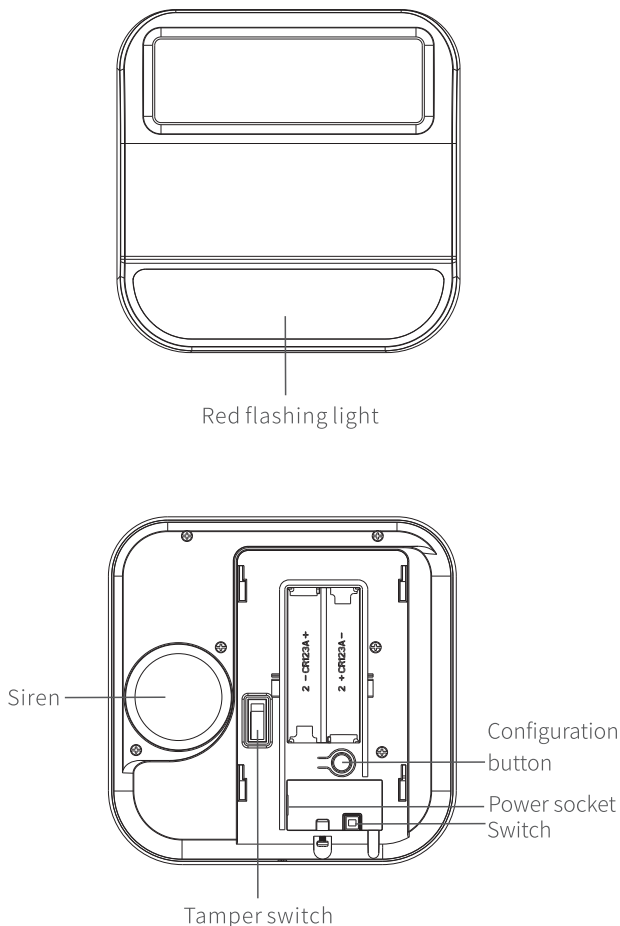
This product is work with our alarm system, to give an audible and visual alarm when the intruder entered without permission. Operated through a corresponding button, for network configuration and entering testing mode. This product supports tamper alarm and low voltage alarm functions.

Packing list

After opening the product packaging, please confirm if the equipment is in good condition and checking with the following list to confirm if the accessories are complete.

- Wireless outdoor siren(X1)
- Bracket(X1)
- Instruction manual(X1)
- Expansion pipe(X4)
- Adapter(X1)
- Screw(X4)

Product appearance



Technical parameters

Wireless Protocol	FSK
Wireless Frequency	868 / 433MHz
Transmission Power	≤13dBm
Working Voltage	DC12V
Wireless Distance	800m/500m (in an open area)
Working Temperature	-25°C~+70°C
Working Humidity	5-95%RH
Alarm Volume	80/95/ 105dB@1M , adjustable
Standby Time	Backup battery can stand by for 24 hours
Standby Power	≤20mA
Battery Capacity	Backup battery capacity 1000mAh
Battery Model	Polymer battery PL503450
Protection Level	IP54
Dimension	164×164×57mm

Product usage

1. Install the Secusystem App by scanning the QR code below with your phone, or by searching for "Secusystem" in the Google Play or Apple Store.



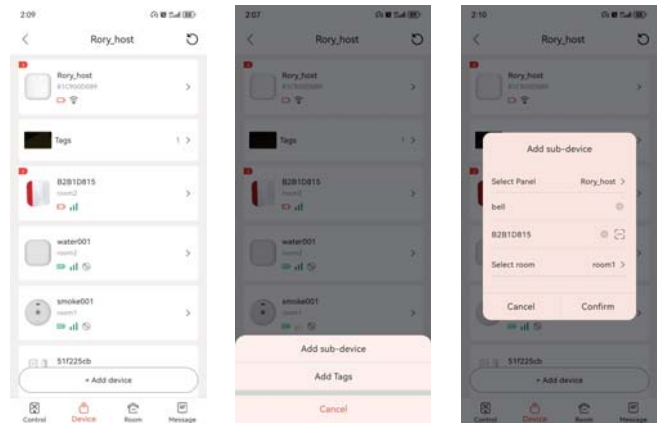
iOS APP



Android APP

2. Add device

- (1) Open the app and follow the alarm panel user guide to add the panel to the app.
- (2) After the panel is successfully bound, select the APP "+" > "Add sub device" > "Scan device QR code" and follow the prompts for further operations, as shown in the figure.



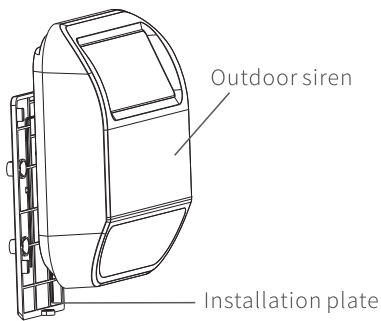
- (3) Configuration: Press and hold the configuration button for more than 3 seconds to enter the configuring mode, and the configuration light will flash.
- (4) Test method: Quickly double-click the configuration button, the siren will sound for 4 seconds, and press to stop the alarm.
- (5) Switch: Backup battery switch, turn on the switch during installation.

3. Function Description

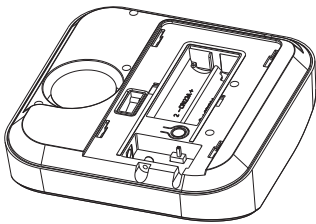
- (1) This product is suitable for indoor and outdoor use, and can be used together with alarm panel. When armed, the alarm panel will send a wireless signal to the siren, and the siren will immediately alarm. When disarming, the siren will stop alarming.
- (2) Please follow the steps to add sub devices to add this product to the alarm panel.
- (3) This product has a low voltage reminder function. When the battery voltage of the product is low, the siren will send a low voltage reminder to the alarm panel.
- (4) The alarm duration of this product can be adjusted on the APP, ranging from 3 seconds to 15 minutes.
- (5) This product has tamper function. When the siren is dismantled, it will immediately send a signal to the alarm panel to remind the user that the siren has been dismantled.

Installation instruction

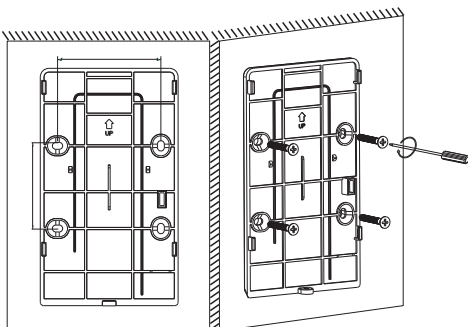
1. Loosen the bottom screw and remove the siren from the installation plate.



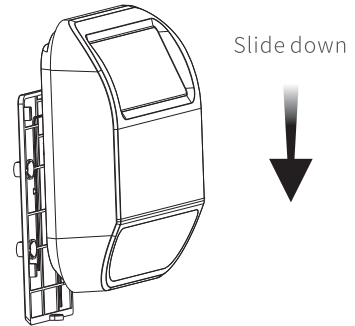
2. After opening the product back cover, making wiring and setting various functions, please re fasten the back cover.



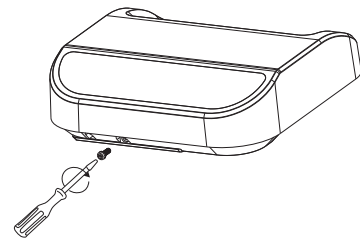
3. Stick the installation plate tightly to the wall, fix the position, and use the screws in the accessory package to fix the installation plate to the wall.



4. Grasp the product body and place them on the installation plate, then slide down to the installation position.



5. Use the tamper screws in the accessories bag to fix the entire body and installation plate together.



6. Installation completed.

